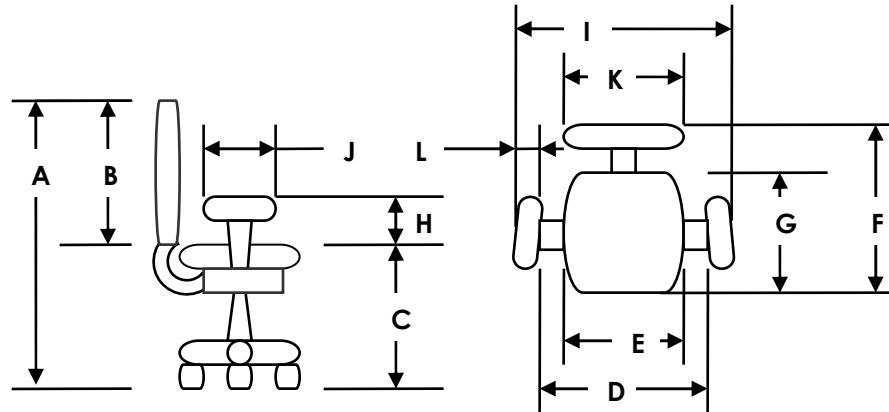




# 7683 Series Standard Specifications



## Standard Measurements:

A. Total Height	32.5" - 40"
B. Back Height	17.5" - 20.5"
C. Seat Height	17" - 21.5"
D. Width Between Arm Pads	18.5" - 22.5"
E. Seat Width	21"
F. Total Depth	24"
G. Seat Depth	19.25"
H. Arm Height from top of seat	6.5" - 8.5"
I. Total Width	25.5" - 29.5"
J. Arm Pad Length	10"
K. Back Width	19.5"
L. Arm Pad Width	3.25"

**Weight Limit:** 250 lbs.

## Standard Construction:

**Back and Seat Frame:** 10 ply curved plywood

**Five Star Base:** Patented, solid injection-molded glass reinforced nylon resin with die cast metal bushing and beveled "step" inside the hub

**Control Mechanism:** HRPO Hot Rolled Steel meets or exceeds ANSI BIFMA, BS5459 PART 2 (formerly FIRA) and AFRDI standards

**Arms:** Injection-molded glass reinforced nylon resin with steel inset

**Foam:** Molded high density foam, meets CAL 117 fire standards

**Casters:** Twin wheel all nylon construction, steel axle and fastening, meets/exceeds Ansi/Bifma standards. Optional urethane tread for hard floors

**Gas lift:** Pneumatic 350 Newton Force 4.5" of travel, meets/exceeds ANSI/BIFMA requirements